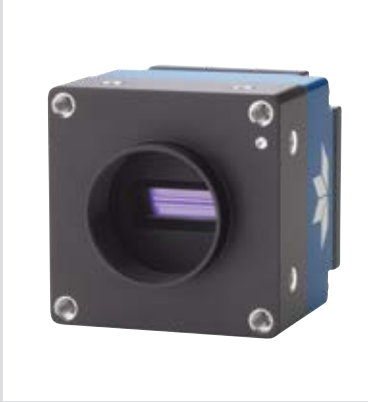


# Linea™ SWIR 512

SL-GA-05H04A-00-R InGaAs Line Scan Camera



## Key Features

- » 512 pixel resolution
- » 25 µm pixel size
- » 950 to 1700 nm spectral band
- » 40 kHz line rate
- » HDR mode
- » Cycling mode
- » Programmable I/Os
- » Compact form factor
- » Configurable full well
- » GigE, PoE

## Typical Applications

- » Food sorting
- » Industrial sorting
- » Recycling
- » Solar panel inspection
- » Silicon wafer inspection
- » General purpose machine vision

## GigE SWIR Line Scan Camera

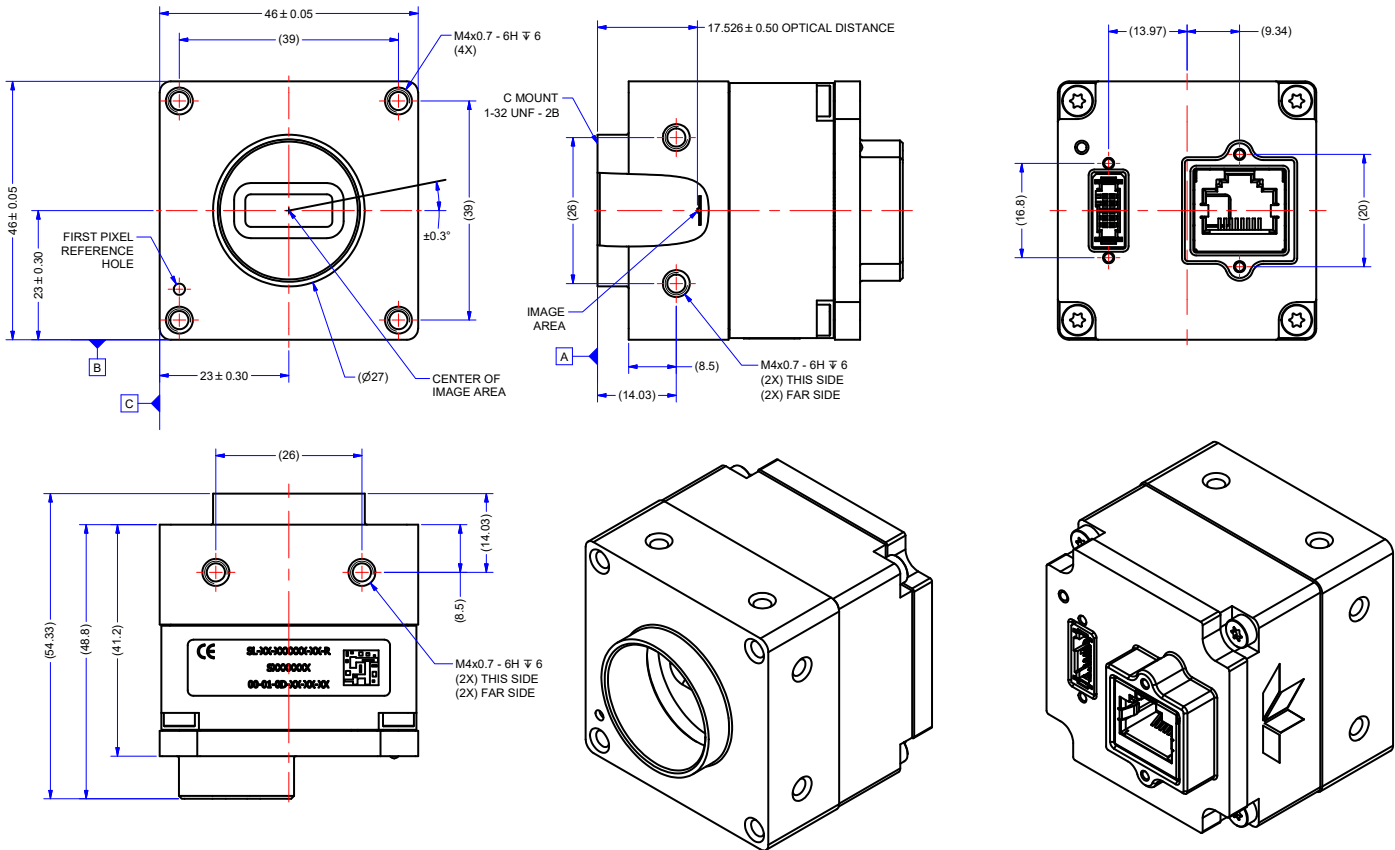
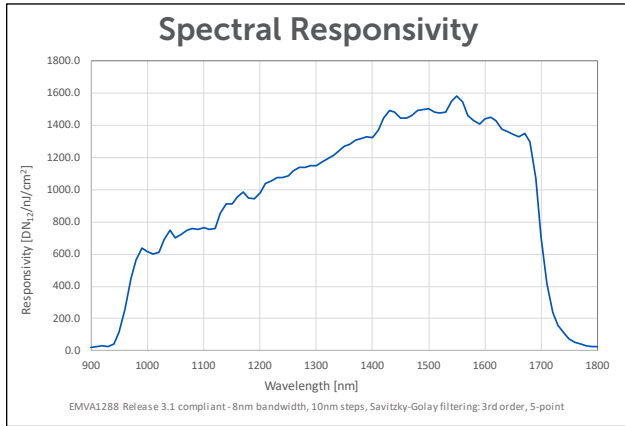
Teledyne DALSA's 512 pixel GigE SWIR line scan camera features a cutting-edge InGaAs sensor in a compact package for a wide variety of machine vision applications.

The newest member of the Linea family features an advanced InGaAs detector with 25 µm pixels in a 512 array that offers a 40 kHz line rate. With high speed, high sensitivity, cycling mode, and programmable I/Os, the versatile Linea SWIR is ideal for applications such as optical sorting, solar panel inspection, and general purpose machine vision.

## Specifications

Resolution	512 pixels			
Line Rate	40 kHz			
Pixel Pitch	25 µm			
Spectral Band	950 to 1700 nm			
Gain Setting	1	2	3	4
Max Responsivity (DN12/nJ/cm <sup>2</sup> at 1550 nm)	20	200	800	1600
Dark Noise (DN12)	2.8	4.2	14	21
Full Well (ke <sup>-</sup> )	10,000	1,000	265	135
Dynamic Range (dB)	66	60	52	48
Peak Quantum Efficiency	66%			
Dark Current	< 5 pA			
Output Bit Depth	8, 12 bit mono			
Optical Interface	C Mount			
Control & Data	GigE			
GPIO	Programmable: 2 inputs, 2 outputs			
Camera Size	46 x 46 x 55 mm			
Camera Weight	150 g			

**SPECIFICATIONS**



NOTES:  
1. UNITS: MILLIMETERS.  
2. IMAGE AREA IS ALIGNED TO DATUMS **A**, **B** & **C**.

**Americas**  
Boston, USA  
+1 978-670-2000  
sales.americas@teledynedalsa.com

**Europe**  
Krailling, Germany  
+49 89-89-54-57-3-80  
sales.europe@teledynedalsa.com

**Asia Pacific**  
Tokyo, Japan  
+81 3-5960-6353  
sales.asia@teledynedalsa.com

Shanghai, China  
+86 21-3368-0027  
sales.asia@teledynedalsa.com