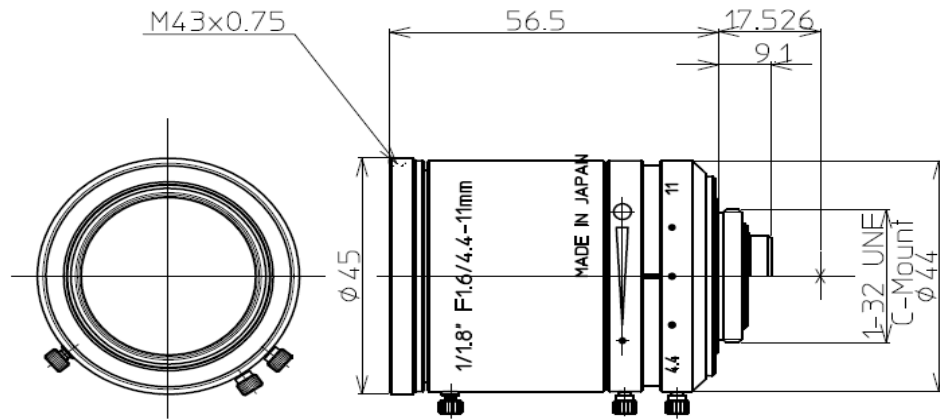




## LMVZ4411



Model	LMVZ4411	
Focal Length (mm)	4.4~11	
Zoom Ratio	2.5x	
Image Size (mm)	1/1.8" (Ø9)	
Iris Range (F-Stop)	F1.6~F16	
Iris Control	Manual	
Focus Control	Manual	
Focusing Range (m)	0.3~∞	
Back Focal Length (mm)	W 8.75/T 14.48	
Flange Focal Length (mm)	17.526	
Angle of View in Degrees	Dia.	W 89.4/T 44.8
	Hor.	W 76.6/T 36.7
	Ver.	W 61.2/T 28.0
Clear Aperture (mm)	Front	Ø30.0
	Rear	Ø8.0
Lens Construction	7 Groups 9 Elements	
Distortion (TV)	W -0.2%/T 0.35%	
Exit Pupil Position (mm)	W -61.4/T -22.3	
Filter Size	M43xP0.75	
Mount	C-Mount	
Weight (g)	125	
Temperature Range (°C)	-10~+50	